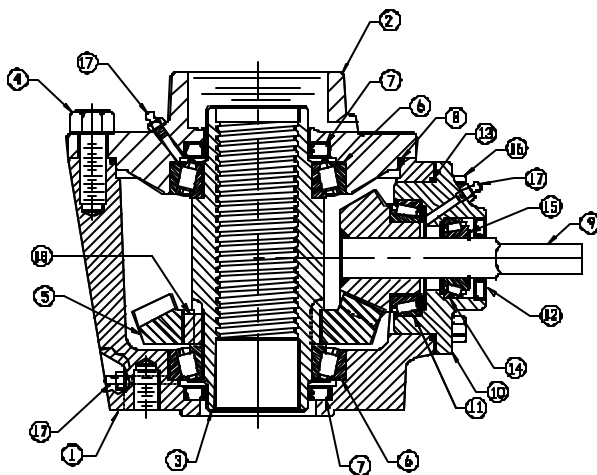


TYPE 3EN-2:1 GEARED OPERATOR

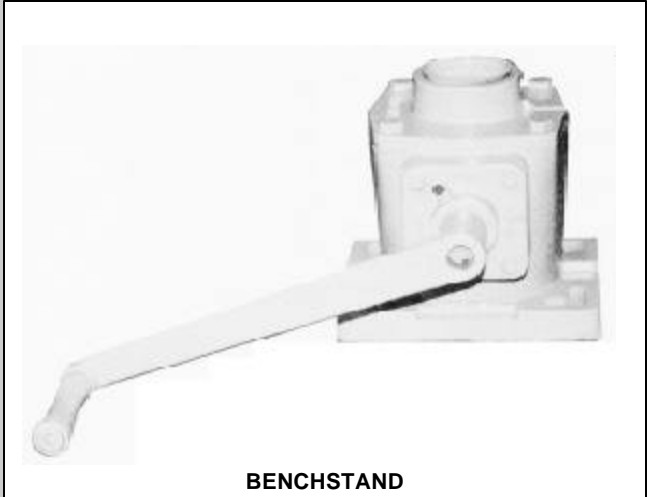
FEATURES:

- A 2:1 Gear Ratio
- Incorporates a 15" Long Handcrank
- Yields Maximum Lift Capacity with 50ft. lbs. Input Torque



PARTS LIST

No.	Name	No.	Name
1	Housing	10	Thrust Cap
2	Cover - Std.	11	Bearing
3	Lift Nut	12	Oil Seal
4	Hex Head Bolt	13	O-Ring
5	Bevel Gear	14	Bearing
6	Bearing	15	Snap Ring
7	Oil Seal	16	Hex Head Bolt
8	O-Ring	17	Grease Fitting
9	Gear/Shaft Assy.	18	Key

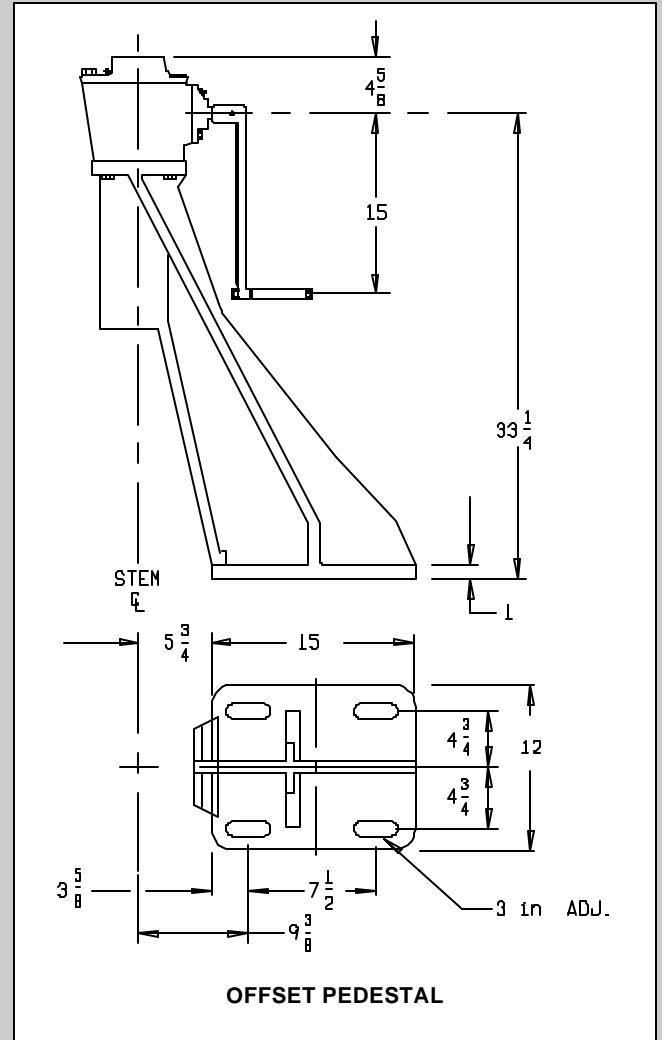
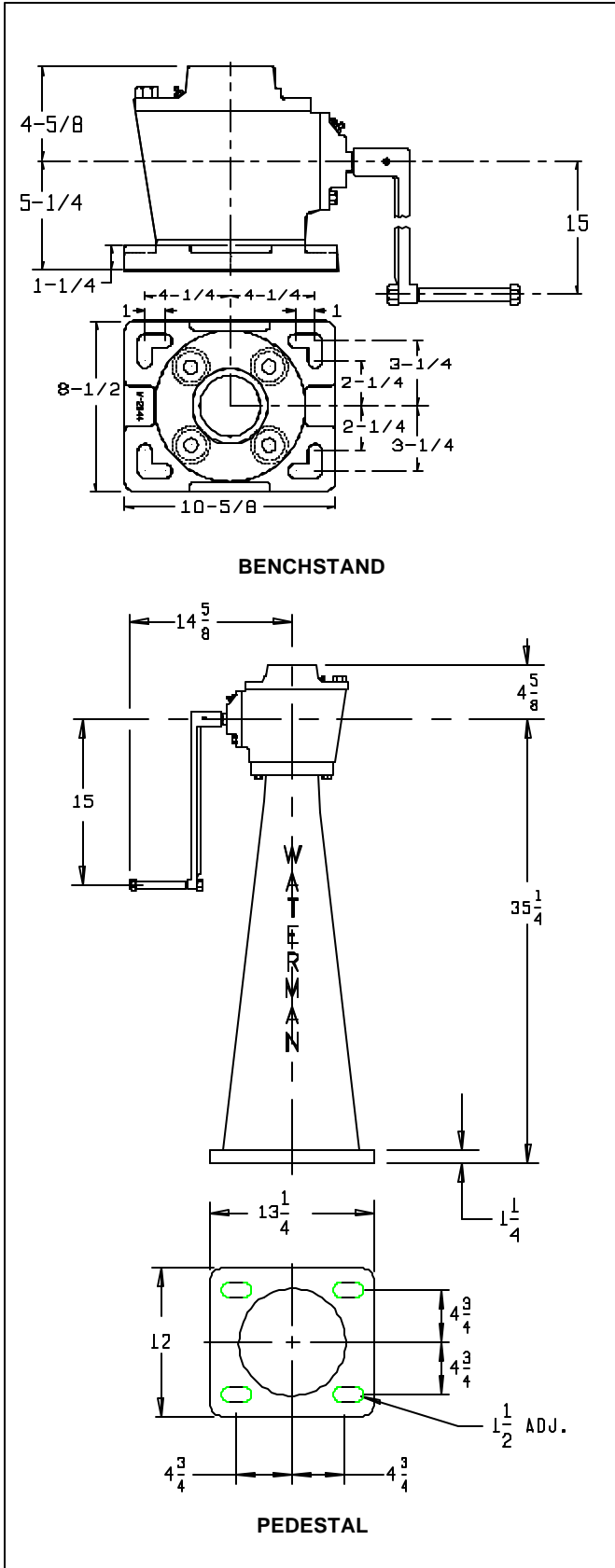


BENCHSTAND



PEDESTAL

TYPE 3EN-2:1 GEARED OPERATOR



LIFT CAPACITIES				
LIFT	INPUT PULL (lbs.)	INPUT TORQUE (ft. lbs.)	STEM DIA.	
			1 1/2	2
3EN-2:1	25	31.2	4700	3700
	40	50	7520	5920