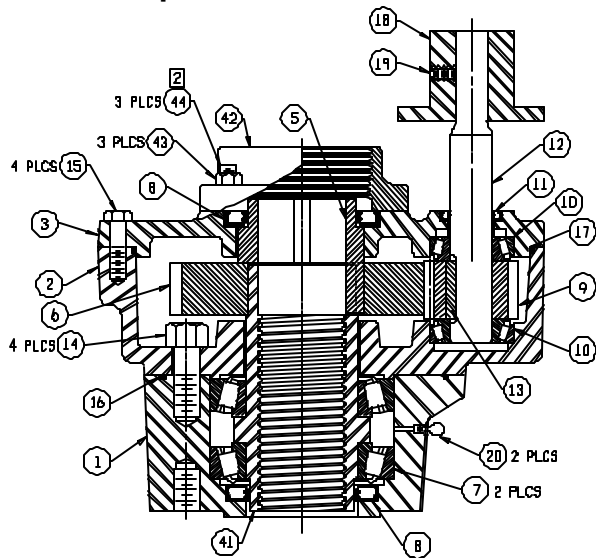


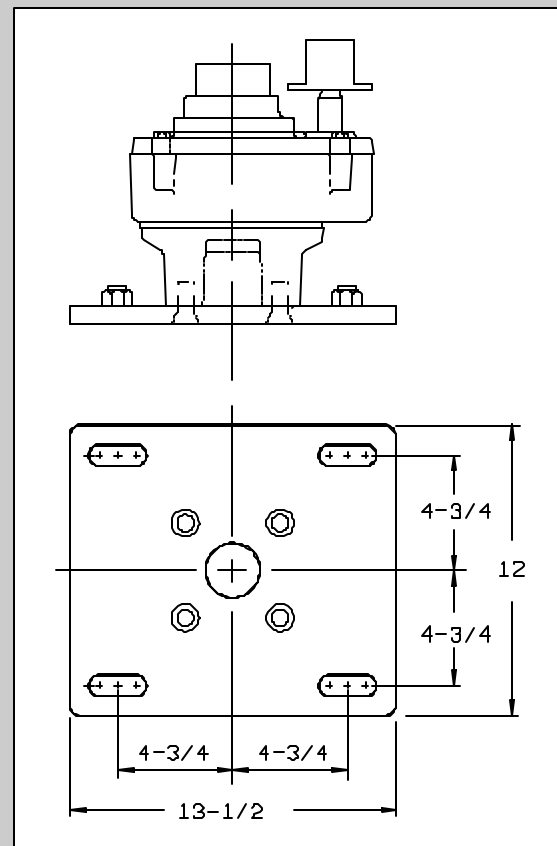
# TYPE 4ESG-3:1 GEARED OPERATOR

- Yields Maximum Capacity with 50ft lbs. Input Torque
- 3:1 Gear Ratio
- Vertical Input Shaft



No.	Name	No.	Name
1	Base	14	Hex Bolt
2	Intermediate Housing	15	Hex Bolt
3	Housing Cover	16	O-Ring
		17	O-Ring
5	Driver	18	2" Square Nut
6	Spur Gear	19	Set Screw
7	Bearing	20	Zerk Fitting
8	Oil Seal		
9	Spur Gear	41	Lift Nut
10	Bearing	42	Stem Cover Adapter
11	Oil Seal	43	Hex Nut
12	Input Shaft	44	All Thread Stud
13	Key		

LIFT CAPACITIES			
LIFT	INPUT TORQUE (ft. lbs.)	STEM DIA.	
		1 1/2	2
4ESG-3:1	30	6920	5620
	40	9230	7500
	50		9380



# TYPE 4ESG-3:1 GEARED OPERATOR

