

H-30 LINE GATE

- Iron seats (bronze seats optional)
- Each gate is hydrostatically tested
- 60 feet maximum seating (face) pressure
- 10 feet maximum unseating (back) pressure
- Non-rising bronze stem
- Bronze packing gland nut and lift nut
- Handwheel standard, 2" square operating nut optional
- NEW! Grease fitting on packing gland for continued ease of actuation

USES:

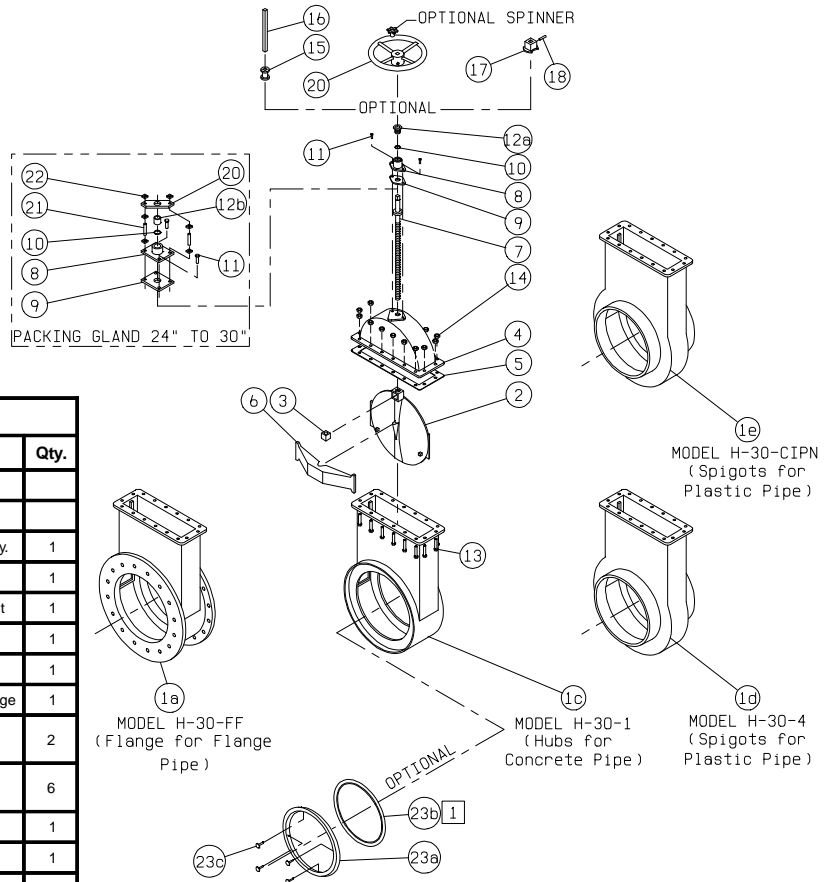
The Red Top Line Gate is designed for installation in pipe lines to eliminate the use of capped stands or standpipes. It is of heavy construction engineered to withstand constant usage over long periods of time.

FEATURES:

The gate is constructed of cast iron with a non-rising bronze screw which has also proven popular in the Waterman Pressure Gate. A screw with the standard Waterman double lead "Acme" type threads is offered. A handwheel is furnished.

The packing gland is made of cast iron with a bronze packing nut which eliminates "freezing" due to rust. A single wrench is required to adjust it.

H-30-1 Hub End



| PARTS LIST | | | | | |
|------------|-----------------------|------|-----|-----------------------|------|
| No. | Name | Qty. | No. | Name | Qty. |
| 1 | Body | 1 | 13 | Bonnet Bolt | |
| 2 | Cover | 1 | 14 | Hex Nut | |
| 3 | Screw Nut | 1 | 15 | Stem Coupling Ass'y. | 1 |
| 4 | Bonnet | 1 | 16 | Extension Stub | 1 |
| 5 | Bonnet Gasket | 1 | 17 | 2" Sq. Operating Nut | 1 |
| 6 | Arch | 1 | 18 | Pin | 1 |
| 7 | Screw w/Collar | 1 | 19 | Handwheel | 1 |
| 8 | Packing Gland Body | 1 | 20 | Pack. Retainer Flange | 1 |
| 9 | Packing Gland Gasket | 1 | 21 | Packing Gland Stud | 2 |
| 10 | Packing Gland Packing | 2 | 22 | Packing Gland Nut | 6 |
| 11 | Packing Gland Bolt | 2 | 23a | Bronze Seat | 1 |
| 12a | Packing Gland Nut | 1 | 23b | O-Ring | 1 |
| 12b | Packing Gland Sleeve | 1 | 23c | Seat Screws | 4 |

H-30 LINE GATES

H-30-1 Line Gate (Hub End)
for use with concrete pipe.



H-30-4 Line Gate for use
with PIP size plastic pipe.
Use two part epoxy to bond
pipe to spigot.



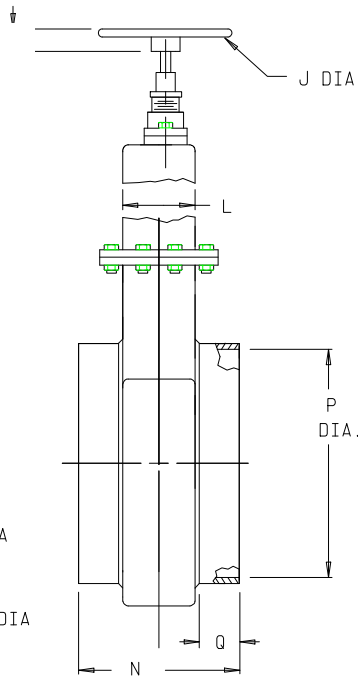
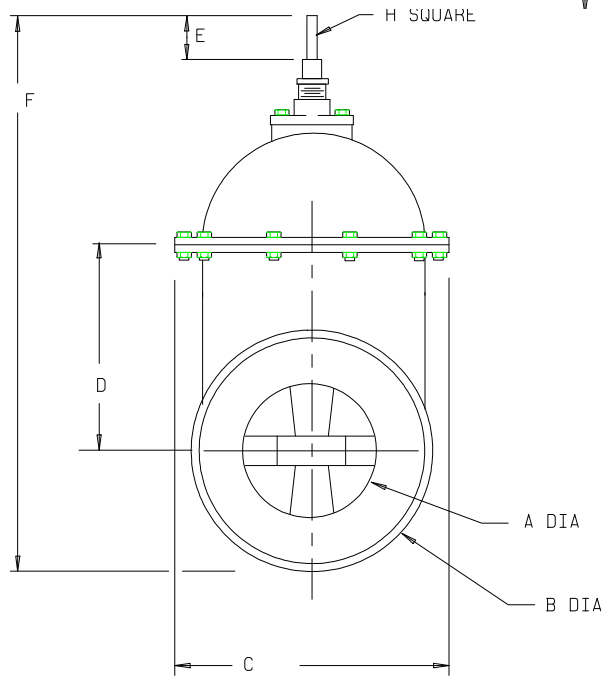
H-30-CIPN Line Gate for use with
either PIP or IPS size plastic pipe.
Use regular PVC cement to bond
pipe to plastic spigots.
(Specify PIP or IPS)



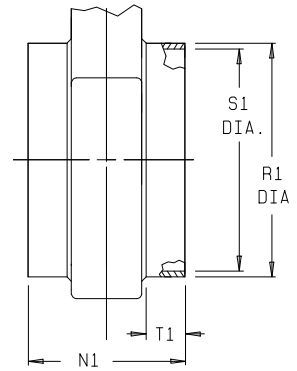
H-30-FF Line Gate with flanges drilled
to match 25# standard flange or 125#
standard flange (optional)



H-30 LINE GATE DIMENSIONS



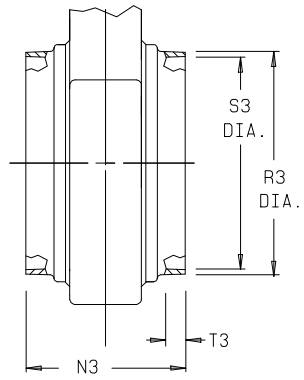
Type 1



Type 4 Frame

GATE DIMENSIONS IN INCHES

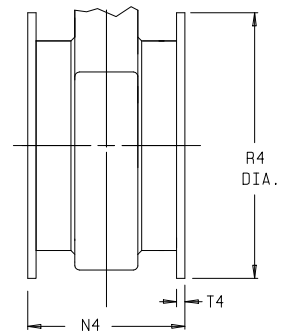
| VALVE SIZE | A | B | C | D | E | F | H | J | K | L | N | P | Q |
|------------|-----|------|------|-----|-----|-----|----|----|----|-----|-----|----------------|--------------|
| 6 | 6 | 8½ | 11½ | 8¾ | 1½ | 25 | ¾ | 12 | 2¾ | 6½ | | | |
| 8 | 7¾ | 11½ | 12¾ | 9¾ | 1½ | 27¾ | ¾ | 12 | 2¾ | 6½ | 6¾ | 11½ | 1½ |
| 10 | 10 | 14½ | 14¾ | 12 | 1½ | 31½ | ¾ | 12 | 2¾ | 6 | 6¾ | 13 ⅞ | 1¾ |
| 12 | 12 | 17½ | 17 ⅞ | 13½ | 1½ | 36¼ | ¾ | 12 | 2¾ | 7 | 7½ | 16¾ | 1 ⅞ |
| 14 | 13½ | 18¾ | 19½ | 15¾ | 1½ | 39¾ | ¾ | 12 | 2¾ | 8½ | 9½ | 18½ | 1¾ |
| 14 x 15 | 13½ | 20 ⅞ | 19½ | 15¾ | 1½ | 40½ | ¾ | 12 | 2¾ | 8½ | 13½ | 19.00 18.75 | 3¾ |
| 16 | 16 | 21¾ | 21½ | 18¾ | 1½ | 45 | ¾ | 14 | 3½ | 8¾ | 9¾ | 21½ | 1¾ |
| 16 x 18 | 16 | 24 | 21½ | 18¾ | 1½ | 46¾ | ¾ | 14 | 3½ | 8¾ | 13½ | 23.14 21.88 | 3.50 3.84 |
| 18 | 18 | 23¾ | 23¾ | 20¾ | 1½ | 48¾ | ¾ | 14 | 3½ | 8½ | 9¾ | 23 | 1 ⅞ |
| 20 | 20 | 27¾ | 26¾ | 21 | 1 ⅞ | 53¾ | ¾ | 14 | 3½ | 10½ | 11½ | 27¼ | 2 |
| 20 x 24 | 20 | 30¾ | 26¾ | 21 | 1 ⅞ | 55¼ | ¾ | 14 | 3½ | 10½ | 15½ | 29.89 | 3.97 |
| 24 | 24 | 32¾ | 32¼ | 27¼ | 2½ | 71¼ | 1¼ | 18 | 3½ | 12 | 13 | 31¼ | 2 ⅞ |
| 30 | 30 | 43 | 40¾ | 34¾ | 4¾ | 87¾ | 1¼ | 24 | 2½ | 10¾ | 20¾ | 41 ⅞ | 4¾ |



Type CIPN Frame

GATE DIMENSIONS IN INCHES

| VALVE SIZE | TYPE 4 FRAME I.D. PLASTIC PIPE | | | | TYPE CIPN FRAME O.D. IPS & PIP PIPE | | | | FLANGED FRAME | | |
|------------|-----------------------------------|------|------|----|--|-------|-------|------|------------------|-----|----|
| | N1 | R1 | S1 | T1 | N3 | R3 | S3 | T3 | N4 | R4 | T4 |
| 6 | 12¼ | 5 ⅞ | 5¾ | 3¾ | 11¾ | 6.45 | 6.16 | 2.50 | 8 | 11 | ¾ |
| 8 | 13 | 7 ⅞ | 7¾ | 3½ | 12¼ | 8.64 | 8.18 | 3.00 | 8½ | 13½ | ¾ |
| 10 | 13 | 9 ⅞ | 9¾ | 3½ | 11¾ | 10.77 | 10.22 | 3.00 | 11¼ | 16 | ¾ |
| 12 | 14½ | 11 ⅞ | 11¾ | 3½ | 14¾ | 12.78 | 12.27 | 3.00 | 12 | 19 | 1 |
| 14 | 15 | 13¾ | 13 ⅞ | 3½ | | | | | 13 | 21 | 1½ |
| 14 x 15 | 15 | 14¾ | 14 ⅞ | 3½ | | | | | | | |
| 16 | 14¾ | 15¾ | 15 ⅞ | 3½ | | | | | 13 | 23½ | 1½ |
| 16 x 18 | | | | | | | | | | | |
| 18 | 14¾ | 17¾ | 17 ⅞ | 4½ | | | | | 14 | 25 | 1½ |
| 20 | 16½ | 19¾ | 19 ⅞ | 4½ | | | | | 15¾ | 27½ | 1¼ |
| 20 x 24 | | | | | | | | | | | |
| 24 | | | | | | | | | 15¾ | 32 | 1¼ |
| 30 | | | | | | | | | 21¼ | 38¾ | 1¼ |



Flanged Frame

1] Nominal dimensions for SRG (Shafter Rubber Gasket) and pipe.

2] Nominal dimensions for IPS plastic pipe.

3] Nominal dimensions for 50 and 100 ft. PIP plastic pipe.