

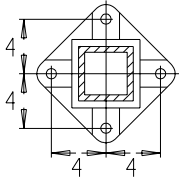
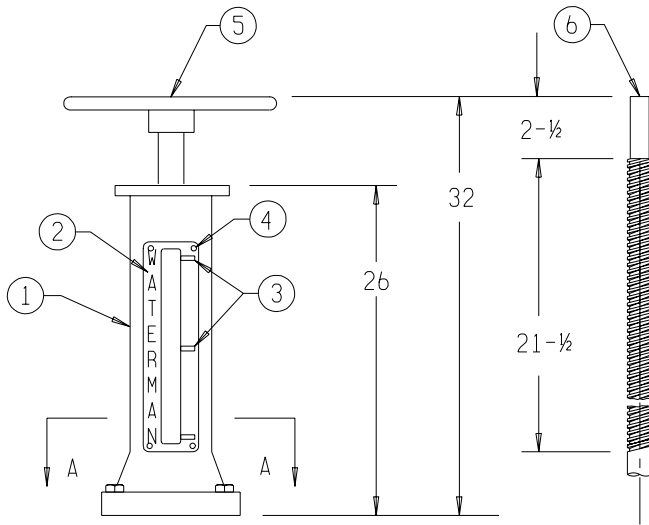
MODEL M-1 INDICATING PEDESTAL

Where a non-rising stem is specified, a Waterman M-1 pedestal with position indicator may be used which incorporates only an optional top bushing to maintain stem alignment. A 2" square operating nut is often used with this unit but it can also be supplied with a handwheel.

The unit accommodates an optional sliding pointer type position indicator with markings for "full open" and "full closed" positions. The pedestal is heavy duty ASTM A-126 cast iron for a long service life.

OPTIONS:

- Steady Bushing
- 2" Square Nut
- Handwheels in Various Diameters



PARTS LIST	
No.	Name
1	Pedestal
2	Indicator Window Panel
3	Open/Close Label
4	Fastener
5	Handwheel
6	Extension Stem



**M-1 Indicating Pedestal
with optional bushing
and handwheel**